



ERT-IL-450

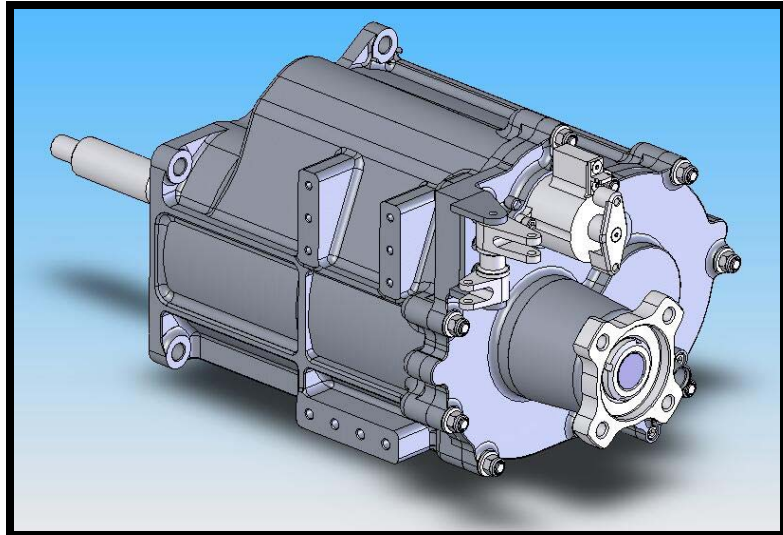
Suitable for:

GT-1

GT-2

GT-3

Retail Price - \$11,750



- **Lightweight Design – Weighs Only 75 lbs**
- **Compact Design – Overall Length 15.5”**
- **Max Recommended Torque – 450 lbs.ft**
- **Race Proven Gear Selection Mechanism**
- **Drop Gears Eliminate Quick Change Rear Ends**
 - **Integral Gerotor Oil Pump**
- **Rotary Potentiometer Drive Available**

For More Information Contact Elite Racing Transmissions

Tel: (858)-578 1044

Fax: (858)-578 4101

Cell: (858)-220 0927

e-mail: lwilliams@elitetransmissions.com

www.elitetransmissions.com